

# Technical data sheet



## Product features

### Cooking range electric with electric convection oven GN 1/1 - 4x plate 400 V

<b>Model</b>	<b>SAP Code</b>	00110120
--------------	-----------------	----------



- Device type: Electric unit
- Power consumption of the zone 1 [kW]: 2,6
- Power consumption of the zone 2 [kW]: 2,6
- Power consumption of the zone 3 [kW]: 2,6
- Power consumption of the zone 4 [kW]: 2,6
- Type of internal part of the appliance 1 (eg oven): Electric
- Type of internal part of the appliance 2 (eg oven): Hot air
- Material: AISI 304 top plate, AISI 430 cladding

<b>SAP Code</b>	00110120	<b>Power consumption of the zone 2 [kW]</b>	2,6
<b>Net Width [mm]</b>	800	<b>Power consumption of the zone 3 [kW]</b>	2,6
<b>Net Depth [mm]</b>	700	<b>Power consumption of the zone 4 [kW]</b>	2,6
<b>Net Height [mm]</b>	900	<b>Type of internal part of the appliance 1 (eg oven)</b>	Electric
<b>Net Weight [kg]</b>	80.00	<b>Type of internal part of the appliance 2 (eg oven)</b>	Hot air
<b>Power electric [kW]</b>	13.400	<b>Width of internal part [mm]</b>	548
<b>Loading</b>	400 V / 3N - 50 Hz	<b>Depth of internal part [mm]</b>	360
<b>Number of zones</b>	4	<b>Height of internal part [mm]</b>	338
<b>Power consumption of the zone 1 [kW]</b>	2,6	<b>Diameter of device [mm]</b>	220

# Technical data sheet



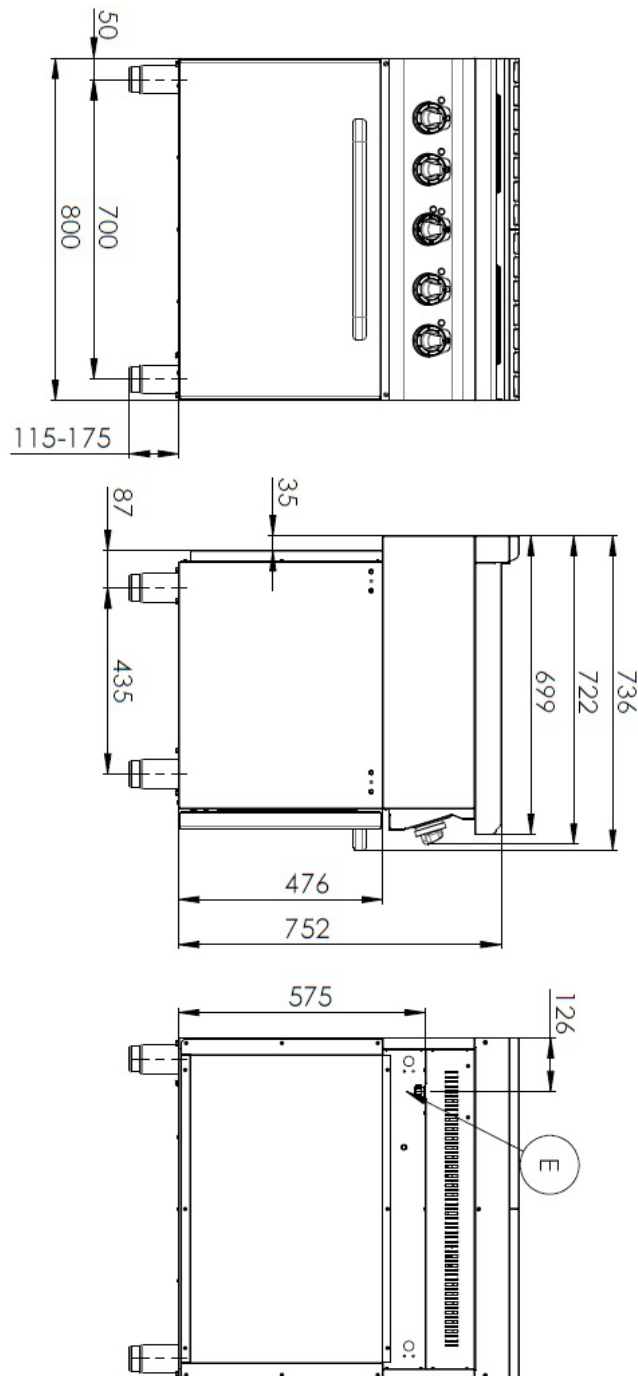
Technical drawing

Cooking range electric with electric convection oven GN 1/1 - 4x plate 400 V

Model

SAP Code

00110120



### Cooking range electric with electric convection oven GN 1/1 - 4x plate 400 V

Model

SAP Code

00110120

1

#### Round plates

quick warm-up  
efficient cooking on a round surface with easy  
adhesion to dishes

- time-saving in food preparation
- easy to use thanks to the large surface area of the  
cooking plates

2

#### Internal thermostatic plate protection

longer service life of the plates

- no overheating of the plates and no cracking

3

#### Degree of protection of the control elements IPX4

maintenance-free system  
resistance to splash water  
long life

- savings on service interventions
- easy cleaning and maintenance of equipment

4

#### All-stainless design

long life  
resistance of a ground steel plate with  
a thickness of 10 mm

- savings on service interventions
- higher corrosion resistance

5

#### Hygienic moldings of the top plate

absence of sharp corners and edges (potential places  
where dirt could stick)  
smooth transitions

- easy quick cleaning

6

#### Hot air oven

hot air baking  
high capacity and variability  
all-stainless design

- suitable for meat, fish, baked pasta, white meat,  
sweet pastries
- long service life
- easy to clean

# Technical data sheet



## Technical parameters

### Cooking range electric with electric convection oven GN 1/1 - 4x plate 400 V

**Model**

**SAP Code**

00110120

**1. SAP Code:**

00110120

**2. Net Width [mm]:**

800

**3. Net Depth [mm]:**

700

**4. Net Height [mm]:**

900

**5. Net Weight [kg]:**

80.00

**6. Gross Width [mm]:**

840

**7. Gross depth [mm]:**

800

**8. Gross Height [mm]:**

975

**9. Gross Weight [kg]:**

93.00

**10. Device type:**

Electric unit

**11. Construction type of device:**

With substructure

**12. Power electric [kW]:**

13.400

**13. Loading:**

400 V / 3N - 50 Hz

**14. Material:**

AISI 304 top plate, AISI 430 cladding

**15. Worktop material:**

AISI 304

**16. Worktop Thickness [mm]:**

1.20

**17. Number of zones:**

4

**18. Power consumption of the zone 1 [kW]:**

2,6

**19. Power consumption of the zone 2 [kW]:**

2,6

**20. Power consumption of the zone 3 [kW]:**

2,6

**21. Power consumption of the zone 4 [kW]:**

2,6

**22. Number of power control stages:**

6

**23. Safety thermostat up to x ° C:**

360

**24. Adjustable feet:**

Yes

**25. Number of burners/hot plates:**

4

**26. Diameter of device [mm]:**

220

**27. Type of electric cooking zones:**

Oval

**28. Oven size:**

GN 1/1

# Technical data sheet



Technical parameters

Cooking range electric with electric convection oven GN 1/1 - 4x plate 400 V

Model

SAP Code

00110120

**29. Type of internal part of the appliance 1 (eg oven):**

Electric

**33. Height of internal part [mm]:**

338

**30. Type of internal part of the appliance 2 (eg oven):**

Hot air

**34. Maximum temperature of the inner chamber [°C]:**

300

**31. Width of internal part [mm]:**

548

**35. Minimum temperature of the inner chamber [°C]:**

50

**32. Depth of internal part [mm]:**

360

**36. Number of internal parts:**

4